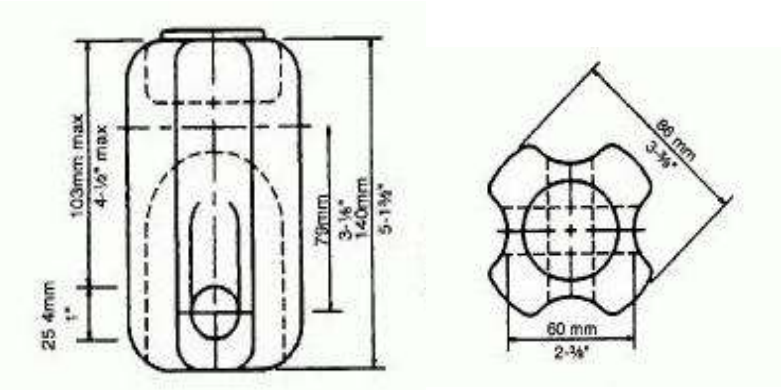


Guy Strain Insulators
ANSI CLASS 54



Wet Process Guy Strain Specifications (high voltage)

Stock #	541KG	542KG	543KG	544KG
ANSI Class	54-1	54-2	54-3	54-4
Dimensions Leakage Distance (in.)	1-5/8	1-7/8	2-1/4	3
Mechanical Values Ultimate Strength (lbs.)	10,000	12,000	20,000	20,000
Electrical Values Low Frequency Dry Flashover (kV) Low Frequency Wet Flashover (kV)	25 12	30 15	35 18	40 23
Packing & Shipping Data Net Weight Each (lbs.) Packed Weight Each (lbs.) Standard Package Qty.	1.00 1.03 50	1.58 1.63 50	2.60 2.81 25	4.07 4.21 16

ANSI - 70 Gray Glaze is standard *Products may be manufactured domestically or off-shore.*

Dry Process Guy Strain Specifications (low voltage)

Stock #	Dimensions (in.)			Std. Package	
	Length	Widest Diameter	Hole Dia.	Pc/Ctn	Wt/Ctn
110	4-1/4	2-7/8	7/8	25	37
1492	2-1/8	1-9/16	3/8	100	30



Akron Porcelain & Plastics Co.
 2739 Cory Avenue,
 Akron Ohio 44314

330-745-2159 | 800-737-9664
sales@akronporcelain.com